

# LS7-9 LED SIGNAL TOWER



**PATLITE®**  
New Frontiers in Safety, Security and Comfort

## Specifications

Model	Number of Lighting Units	Body Color	Rated Voltage	Mounting	Rated Current Consumption	Maximum Rated Current	Maximum Sound Pressure	Operating Temperature Range	Protection Rating
LS7-302-9	3 Tiers	Off-white (No Mark)	DC 24V (±10%)	1/2" NPT Natural White (N) or Dark Gray (D)	Red: 20mA	Red: 35mA	Buzzer1 ab. 82dB Lead Wire Type (Intermittent beep1) M12 Connector Type (Continuous Beep)	-30°C ~ 60°C	Illumination Type IP69K  Buzzer Type IP69K
LS7-502-9	5 Tiers	Dark Gray (D)  Silver (S)			Yellow, Green, Blue, White: 30mA	Yellow, Green, Blue, White: 40mA	Buzzer2 ab. 85dB Lead Wire Type (Intermittent Beep2) M12 Connector Type (None)		

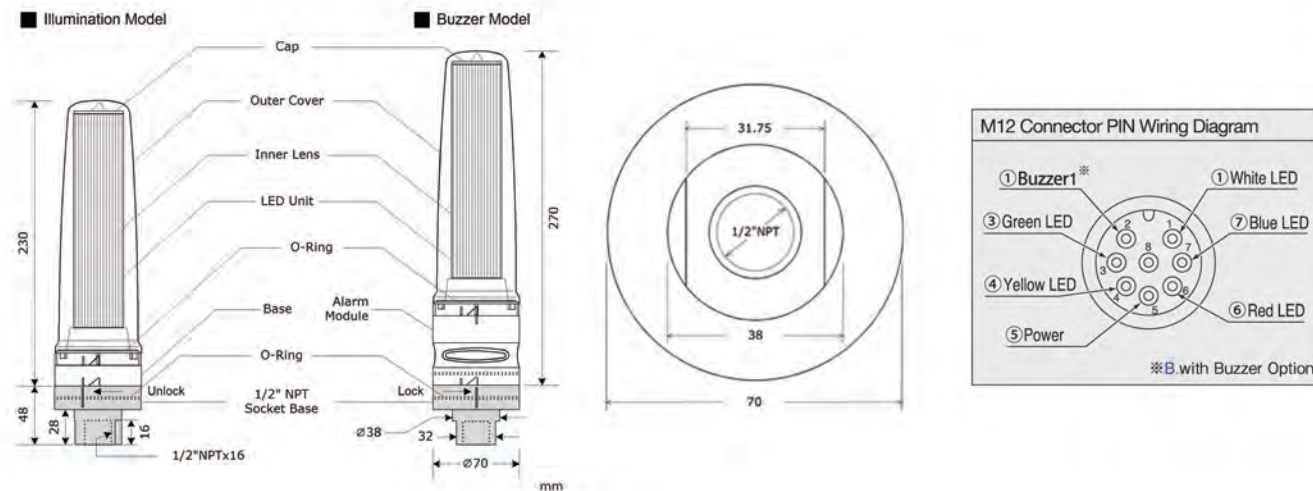
LED Signal Tower **LS7-** ① 02 ② ③ ④ W ⑤ 9 ⑥ - ⑦

Ex.: **LS7-302WC9N-RYGNN**

※F type models with Illumination - Flashing are only available for Lead Wire and requires an H mark.  
※C type models (M12 Connector Type) are only available with a continuous sound buzzer.

① No. of Lighting Units: 3: 3 Tiers 5: 5 Tiers  
② Body Color: No Mark: Off - white D: Dark Gray S: Silver  
③ Lighting: No Mark: Illumination Only F: Illumination - Flashing  
④ Buzzer: No Mark: No Buzzer B: Buzzer  
⑤ Wiring: C: M12 Connector H: Lead Wires ※  
⑥ 1/2" NPT: N: Natural White D: Dark Gray  
⑦ LED Color: R: Red G: Green C: White Y: Yellow B: Blue N: Blank  
※B with Buzzer Option

## Drawing (Unit : mm)



Your signal tower washdown problems are looking up.

# LS7-9 LED SIGNAL TOWER

High pressure, high temperature, maximum washdown protection.

**PATLITE®**  
New Frontiers in Safety, Security and Comfort

**PATLITE (U.S.A.) Corporation**  
20130 S. Western Ave. Torrance, CA 90501, U.S.A.  
TEL: 1-310-328-3222 FAX: 1-310-328-2676 EMAIL: sales@patlite.com

**PATLITE (SINGAPORE) PTE LTD**  
No.2 Leng Kee Road, #05-01 The Hong Centre, Singapore 159086  
TEL: 65-6226-1111 FAX: 65-6324-1411 EMAIL: sales@patlite.com.sg

**PATLITE Europe GmbH**  
Am Soeldnermoos 8, D-85399 Hallbergmoos, Germany  
TEL: 49-811-9981-9770-0 FAX: 49-811-9981-9770-9 EMAIL: info@patlite.eu

**PATLITE (CHINA) Corporation** Post Code: 200072  
Room 512, Jufeng Business Building, Lingshi Road, Shanghai City, China  
TEL: +86-21-66308969 FAX: +86-21-66308938 EMAIL: sales@patlite.cn

**PATLITE KOREA CO., LTD.**  
A-2603, Daesung D-POLIS, 543-1 Gasan-dong, Geumcheon-gu, Seoul, Korea  
TEL: +82-2-523-6636 FAX: +82-2-523-6637 EMAIL: sales@patlite.co.kr

**PATLITE Corporation Head Office**  
8-8, Matsuyamachi, Chuo-ku, Osaka, Japan 542-0067  
TEL: +81-6-6763-8220 FAX: +81-6-6763-8221 EMAIL: overseas@patlite.co.jp

**PATLITE Japan Representative Office in Taiwan**  
7F, No. 91, Huayin St, Datong District Taipei, Taiwan R.O.C  
TEL: +02-2555-1611 FAX: +02-2555-1621 EMAIL: info@patlite.tw

## HYGIENIC DESIGN & CLEANING FRIENDLY



### THE LS7-9 LED SIGNAL TOWER

**Made to take the High temperature, High pressure washdowns associated with food processing and other extreme cleaning conditions.**

Meat/poultry/fish processing facilities need to keep equipment clean of salmonella and other bacterial issues. This requires high-pressure & high-temperature washdowns to eliminate bacteria growth. As a result many signal towers and other components get damaged and have to be replaced. A faulty signal tower, compromises safety and run time. The signal tower is a key part of your operation and is used to tell machine operators the status of the machine. If the user has a faulty signal tower, they're not running efficiently and they may be missing some vital cues that keep the process running smoothly.

The days of covering signal towers and other sensitive components with plastic bags before washdowns, are over with the LS7-9 LED Signal Tower.

### LS7-9 OPTIONS



**M12 CONNECTOR & CABLE** Manufactured by the OMRON Corp.  
 SZ-120-02 Cable Length 2m (XS2F-D821-DH0-R)  
 SZ-120-05 Cable Length 5m (XS2F-D821-GH0-R)  
 SZ-120-10 Cable Length 10m (XS2F-D821-JH0-R)

### LS7-9 REPLACEMENT PARTS

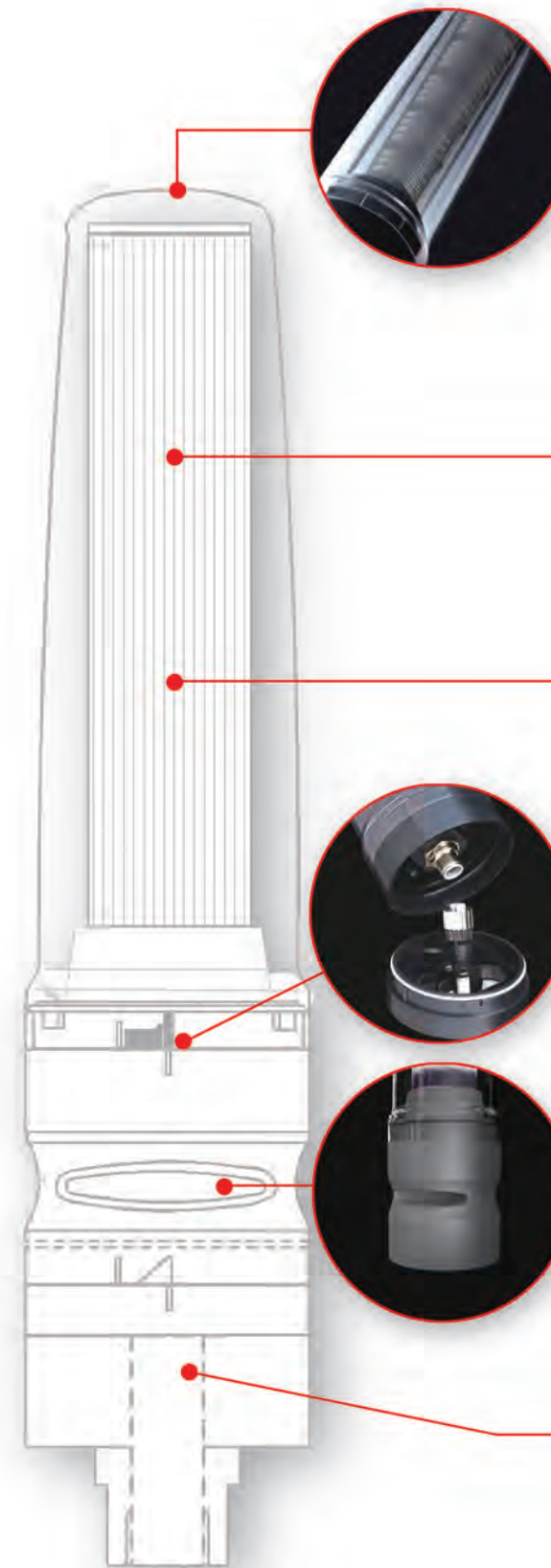


**SILICON O-RING,**  
Z35721039



**POLYCARBONATE OUTER COVER,**  
B45110011-F1

## UNIQUE FEATURES OF THE LS7-9



### SMOOTH-SURFACED BODY PROTECTION

Our smooth surface body design, reduces the adhesion of water, dust and other contaminants. The body structure covers screws, shafts, etc., that otherwise would be exposed. This is ideal for applications in the lithium ion battery manufacturing, food processing and pharmaceutical industries. The cover is made of shock-resistant polycarbonate, reducing the risk of environmental stress cracks.

### DYNAMIC HIGH-CONTRAST VISIBILITY

Our inner lens LED emits a more even and efficient light. The contrast is increased when the Signal Tower lights up or flashes, with a distinguishable signal color that dramatically improves visibility.

### QUALITY YOU CAN COUNT ON

The LS7-9 has passed various tests for water resistance, dust, temperature, and variable vibration frequency tests to ensure performance in a variety of environments.

### M12 CONNECTOR WIRING SIMPLICITY

The stackable design and M12 quick disconnect connector (Cable Sold Separately) can drastically reduce labor and time - making removing and relocating smoother.\*

Lead Wiring is also available.

### OUTSTANDING BUZZER SOUND

The alarm for the LS7-9 was designed with special frequencies so it can be heard above the noise of cutting machines.

### FOOD-GRADE 1/2" NPT BRACKET

MADE OF DELRIN  
 Easy to mount with a 1/2" NPT pole.

\* When using an M12QD only 1 buzzer sound is available.