

WIRING	
1 - 1	
2 - 2	
3 - 3	
4 - 4	

REVISIONS			
REV.	DESCRIPTION	DATE	APPROVED
A	REDRAWN IN SW	3/10/2016	JJH

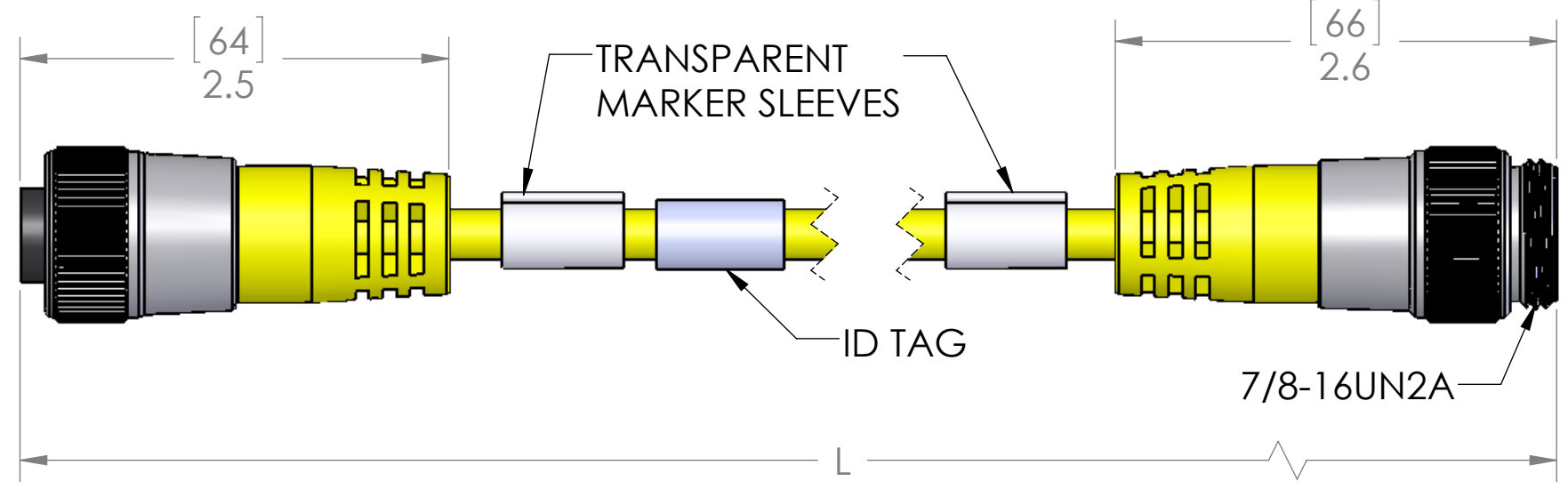
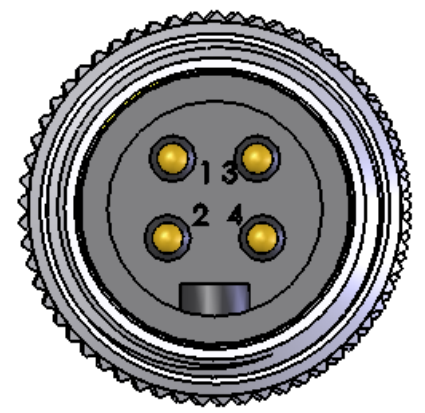
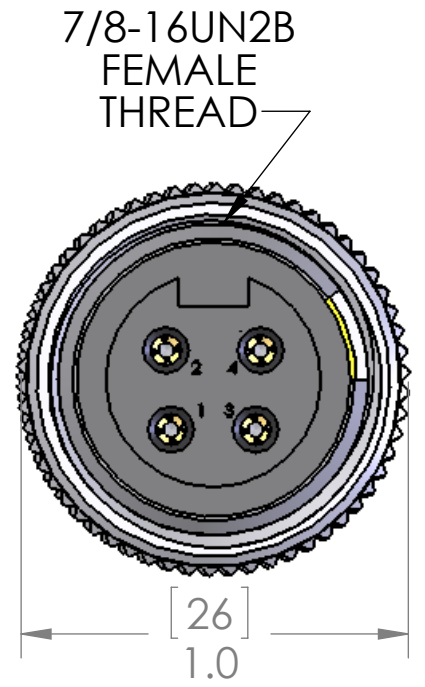


TABLE A	
P/N	L
MINCW-4MFPX-1M-SB50	40" [1m]
MINCW-4MFPX-2M-SB50	79" [2m]
MINCW-4MFPX-3M-SB50	118" [3m]
MINCW-4MFPX-4M-SB50	157" [4m]
MINCW-4MFPX-5M-SB50	197" [5m]
MINCW-4MFPX-6M-SB50	236" [6m]
MINCW-4MFPX-8M-SB50	315" [8m]
MINCW-4MFPX-10M-SB50	393" [10m]
MINCW-4MFPX-15M-SB50	590" [15m]

MATERIALS	
BODIES:	YELLOW PVC
INSERTS:	BLACK PVC
CONTACTS:	GOLD PLATED COPPER ALLOY
CABLE:	18/4 YELLOW TPE JKT
COUPLINGS:	NICKEL PLATED BRASS

APPROVALS:	
US	UL LISTED
CANADA	C-UL LISTED

PROPRIETARY AND CONFIDENTIAL
THE INFORMATION CONTAINED IN THIS DRAWING IS THE SOLE PROPERTY OF MENCOM CORPORATION. ANY REPRODUCTION IN PART OR AS A WHOLE WITHOUT THE WRITTEN PERMISSION OF MENCOM CORPORATION IS PROHIBITED.

VOLTS	300V
AMPS	5.5A
TEMP	105C
APPLICATION	

UNLESS OTHERWISE SPECIFIED:
DIMENSIONS ARE IN INCHES AND [MM]

INTERPRET GEOMETRIC TOLERANCING PER:
MATERIAL

FINISH

DO NOT SCALE DRAWING

NAME	BEM
DRAWN	
CHECKED	
ENG APPR.	
MFG APPR.	
Q.A.	
COMMENTS:	

MENCOM CORPORATION		
TITLE:		
SIZE	DWG. NO.	REV
B	MINCW-4MFPX-ZZ-SB50	A
SCALE: 1:1	WEIGHT:	SHEET 1 OF 1